

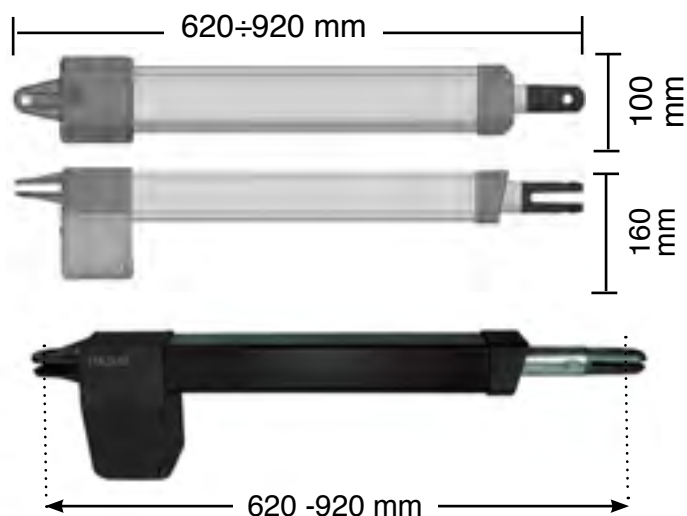
DUCATI actuator model HC312 Installation diagram

- HC312
 - HC312 FC (with on board open position mechanical limit)
- each model is also available in 24V version

Maximal wing dimension:

Maximal wing lenght: up to 2,5m/ 8 ft

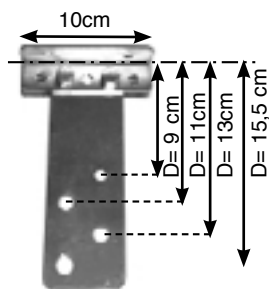
Maximal wing weight: up to 250kg/ 500lb



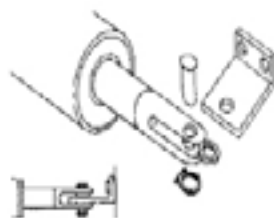
Supplied fixing braket:

choose the hole most suitable to your gate. you can cut the plate if necessary

Post fixing

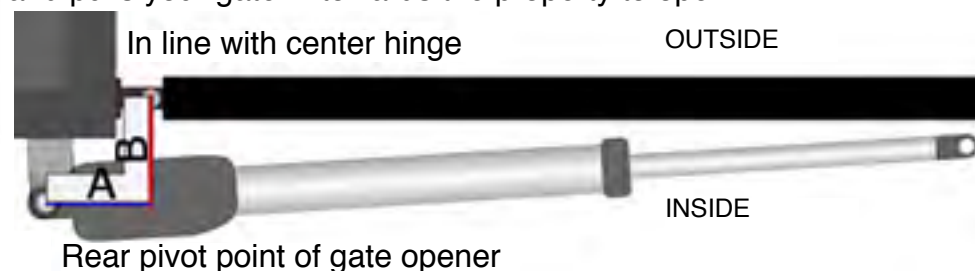


Front fixing



PULL TO OPEN OPERATION (opens towards inside)

This means the gate operator is mounted on the inside of the property and pulls your gate in towards the property to open.



maximal dimension	A=8 cm	A=10 cm	A=12 cm	A=14 cm	A=18 cm	A=20 cm
B=8 cm	98°	110°	118°	125°	108°	100°
B= 10cm	97°	108°	115°	120°	100°	94°
B= 12cm	95°	105°	112°	110°	100°	93°
B= 14cm	95°	103°	109°	98°	/	/
B= 16cm	94°	101°	97°	90°	/	/
B= 18cm	94°	97°	/	/	/	/
B= 20cm	93°	/	/	/	/	/

METRIC CONVERSION

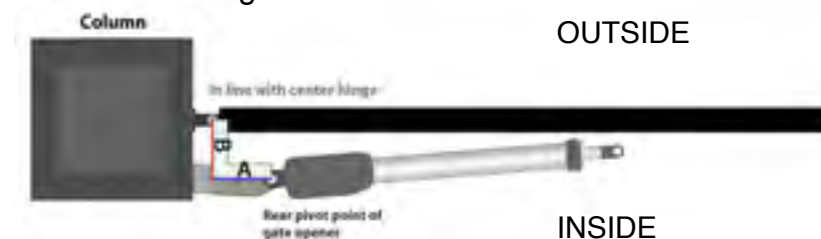
1 cm = 1/2" = 0,3"
 10 cm = 4"
 12 cm = 4 3/4" = 4,7"
 14 cm = 5 1/2" = 5,5"
 16 cm = 6 1/5" = 6,2"
 18 cm = 7"
 20 cm = 7 7/8" = 7,87"
 25 cm = 9 3/4" = 9,8"
 30cm = 11 8/9" = 11,8"



PUSH TO OPEN OPERATION (opens towards outside)

If your driveway slopes up after the gate, preventing it from swinging in. This means the gate operator is mounted on the inside of the property and pushes your gate out away from the property. Warning: only compatible with telescopic tube actuators, Check the overall dimensions before installation.

Warning:remember to reverse the polarity of the motor cables when connecting to the electronic board



A = min. 8cm max. 14cm

B = min. 8cm max. 14cm