



The 3-channel DUCATI radio rolling code radio receiver can be used to increase the number of remote controls to be used to command a single DUCATI GATE OPENER or to control different functions/ devices with a Ducati rolling coded remote control. **Each stored code is identified by a position number and indicated on the display.**

Total maximal storage capacity: 100 Ducati Rolling coded radio remote controls (FOB).

You have up to 3 channels available: CH1; CH2; CH3.

Channel CH3 is a bistable contact with memorization option (up to 6 minutes). It can be used, for example to switch on the garden lights with an automatic switch-off after a desired pause time that you can set by turning the potentiometer.

1) Power the radio receiver. Can be powered by any 12V/24V ac/dc power supply. You can power the Radio receiver by the 12V /24V power output (also used to power the infrared safety sensors) from the gate opener main control board.No polarity to be respected

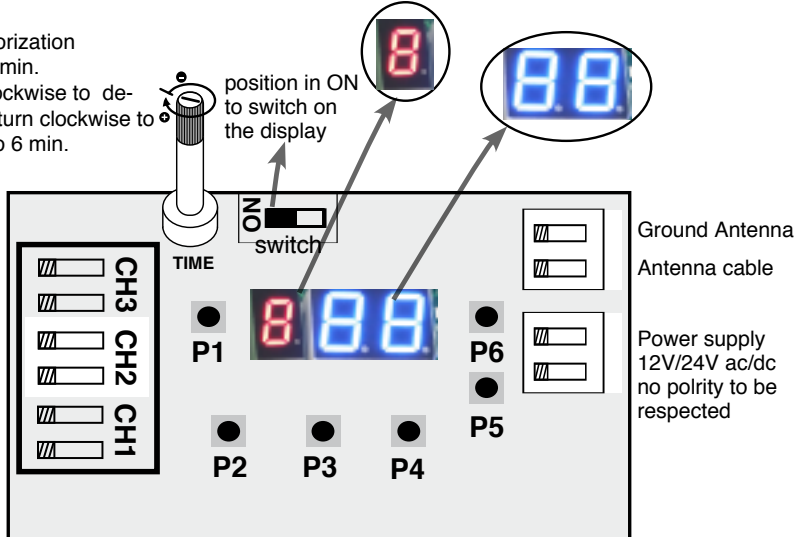
WARNING: The display switches ON automatically by pressing any of the radioreceiver button or by receiving a previously stored radio signal. Side Switch to 1 position to switch it OFF, slide it to "ON" position to light it on

Warning:
SLIDE SWITCH to switch ON/OFF the display
ON = Display on
OFF (1) = display off

DISPLAY A shows the selected channel
1 = CH1
2 = CH2
3 = CH3

DISPLAY B shows the position number of the stored remote control (Max 100 total positions 00 to 99)

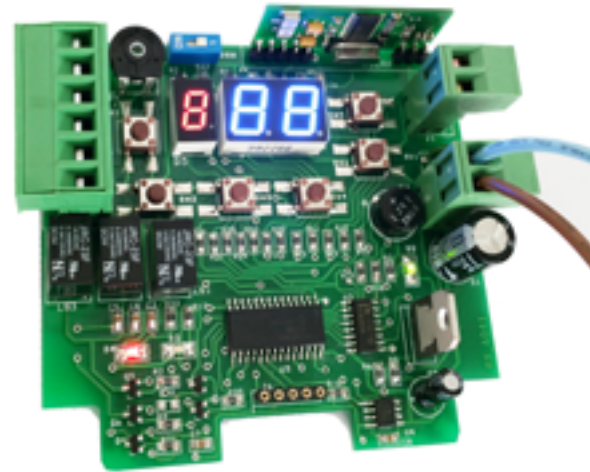
CH3 channel temporization adjustment up to 6 min.
turn fully counterclockwise to deactivate the timer, turn clockwise to increase timer up to 6 min.



CHANNEL 3
NO contact (normally open) bistable

CHANNEL 2
NO contact (normally open) monostable

CHANNEL 1
NO contact (normally open) monostable



RIXY 6043

N° of channels: 3
Channel contact: normally open (NO)
Total storage capacity: max.100 remote control's buttons
Radio frequency 433,92 MHz
DUCATI rolling code system
Contact rating relay: 1A /30V
Working temperature: -10°C / + 60°C
Irradiation of antenna: in compliance with EU Norms
Stand-by Absorption: 0,008 A

First activation: light on the display by positioning the "switch" in ON position. The board starts a auto-test: "CC" will appear on the display if no remotes are stored in the receiver. Wait until the display turns off.

1. How to store/memorize a radio remote control button (FOB)

- Push P1, the display switches on.
- by pressing P6 you can choose the channel you will store the remote control button in
- Push the remote control's button you wish to store. and hold it pushed for at least 4 seconds. Display A will blink to confirm it has been correctly stored and displays the channel number on which the remote control button has been stored in. The B display shows the remote control's button corresponding stored position number. Example: if the displays show "2 03"= remote button has been stored in channel 2 at position 3
The red LED lights on simultaneously. Then the display turns off.

2. How to delate a specific previously stored radio remote code button

- Press P2. The A display will show "P", the B display will show: - -. release P2
- displays will now show: "P 00"
- Identify the position number you want to delate by pressing push button P6(increase) or P5 (decrease)
- Push again P2 and hold it pushed until the red LED light switches on. The position number witch is beeing delated is blinking on the display. Once the remote control is delated the display switches off. Release P2.

3. How to erase all stored codes

- Push and hold pushed P3 until the display shows: CC.
- Release P3. The process continues until the total erasure of the memory is ended and can not be interrupted.