

■ The flashing light is used as a visual warning of the presence of an automatic gate in motion. It must be installed on the pillar / wall and be clearly visible from inside and outside the property. The blinking is slow in opening and faster during closing. The installation of the flashing light is mandatory to ensure security on public transit area.

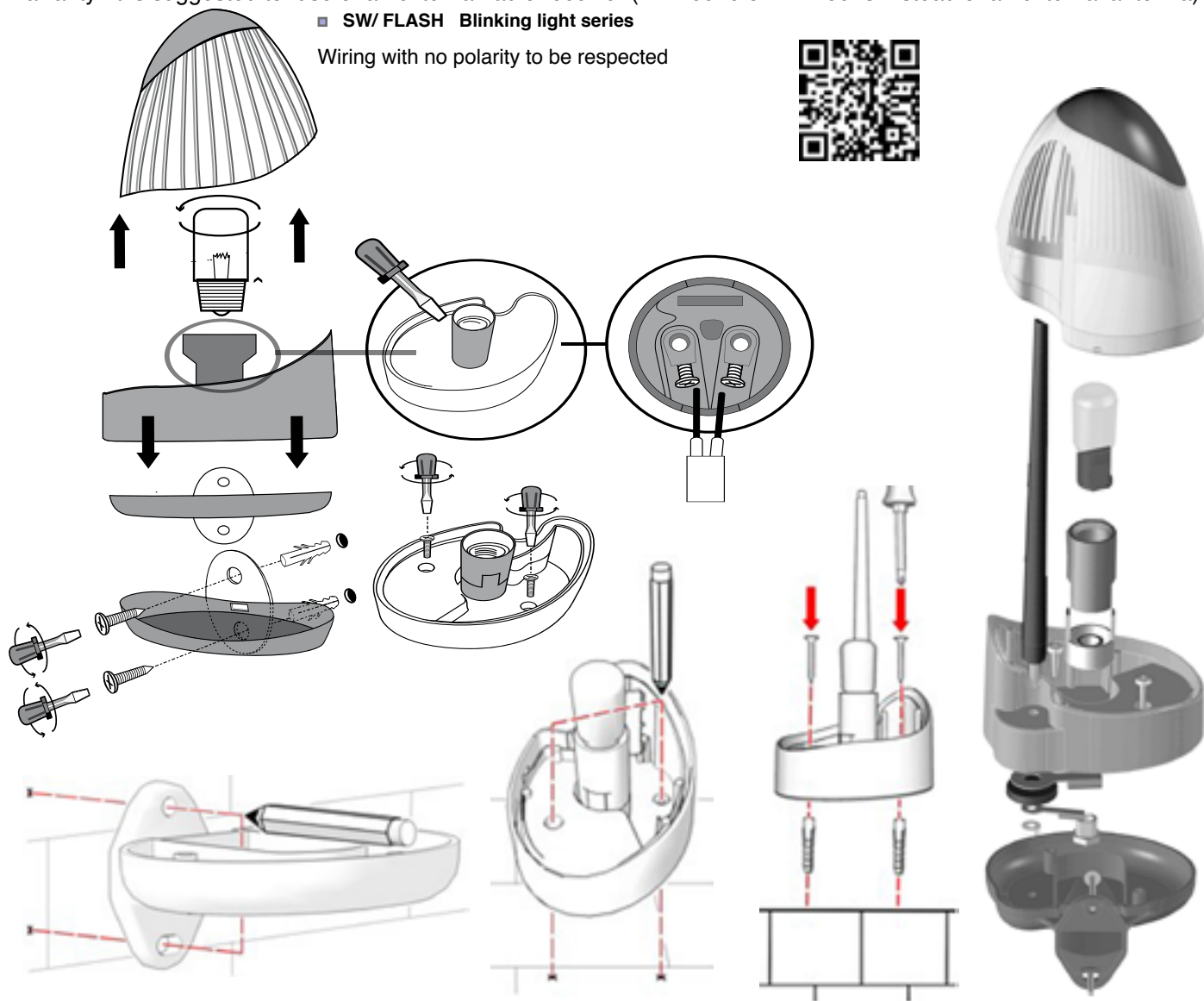
The flashing lights model: FLASH 7712; 7512, HC7500 / 12 use a 12V max 10W bulb

The flashing lights model: FLASH 7724; 7524 HC7500 / 24 use a light bulb max 10W 24V

An external aerial antenna (STILO 6025, wall mounting, or STILO 6023, to be installed on Flash blinker) can be added to replace the antenna cable supplied as standard on each electronic board, to improve the reception of the radiosignal. However it is advisable to limit the use of external antennas in case it is strictly necessary. The use of this device increases the vulnerability of the electronic board from electrostatic discharges during the storms that could damage the board. This type of damage is not covered by warranty. It is suggested to use of an external radio receiver (RIXI 6040 or RIXI 6043 instead of an external antenna).

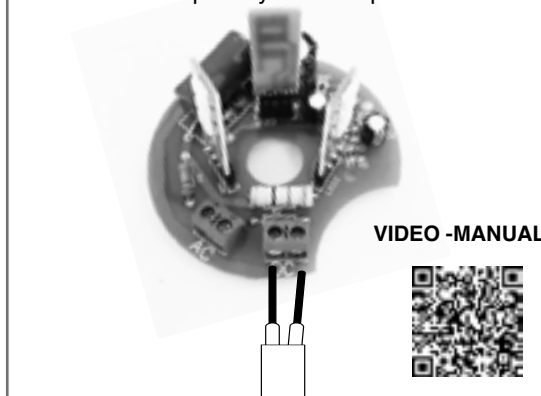
■ SW/ FLASH Blinking light series

Wiring with no polarity to be respected



■ SW/ FLASH Blinking light with LED light circuit 12V/24V ac/dc

Wire to a ducati electronic board using the dc connectors. No polarity to be respected



■ SW/ FLASH Blinking light with standard light bulb

No polarity to be respected

