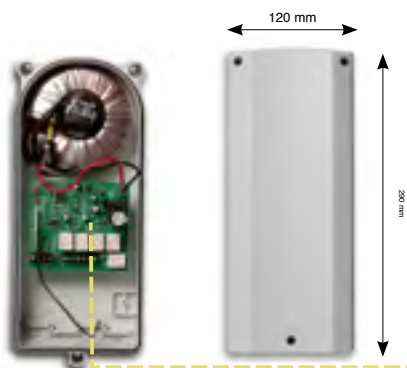
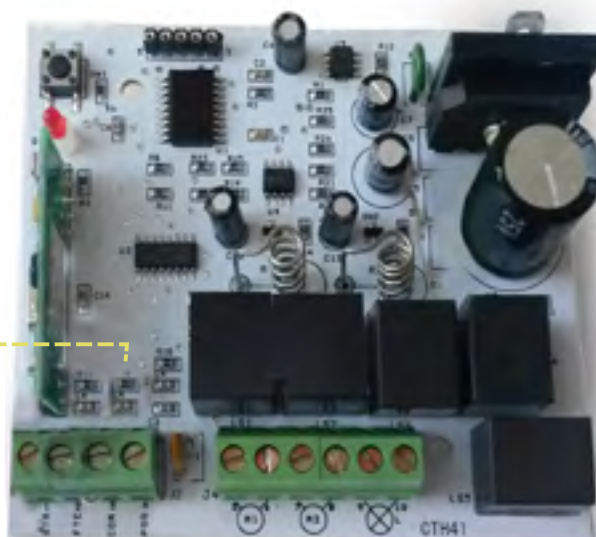


■ **7851**
Small Control Box with CTH41

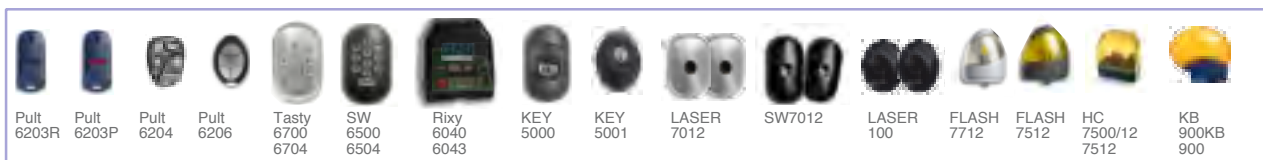


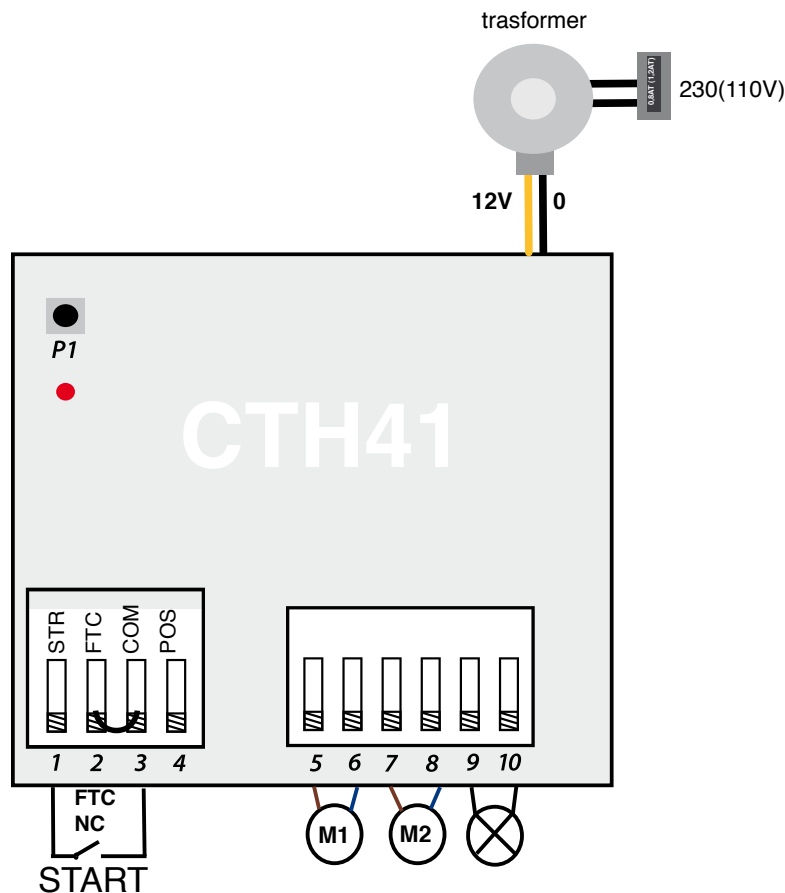
■ **CTH41**
Electronic board



TECHNNICAL DATA	CTH41	CTH41 MONO
Power supply (on demand)	230V (110V on demand)	
Use on 2 wings gate	√	-
Use on 1 wing gate	-	√
Automatic protection fuse	√	
Transformer protection fuse	0,8A T (1,2A T)	
Toroidal transformer's Watt	80W	
Output services	12V	
Power consumption in stand-by	15mA	
Radio receiver (channel)	1	
Remote control storage capacity	10	
Radio transmission protocol	Ducati rolling code 433MHz	
Remote control automatic learning	√	
On board Antenna	√	
Automatic closure function (timerized)	√	
Anti-pressure safety system	√	
Safety beam/ Photocells input	√ NC	
Full cycle START (NO contact)	√ NO	
Flashing light output	12V max 10W	
Gear anti-pressure system	√	

■ Compatibles accessories





■ **CTH41**

Connections and adjustments:

ATTENTION ! all settings have to be made with gate in closed position

CONNECTORS:

- 1/3 (STR) START contact NO full cycle opening
- 2 (FTC) Photocell NC contact (FTC)
- 3 (COM) Common (start & photocell)
- 4 (POS) + power photocell positive 12V dc
- 3 - power photocell negative
- 5 M1 actuator brown cable
- 6 M1 actuator blue cable
- 7 M2 actuator brown cable
- 8 M2 actuator blue cable
- 9/10 12V 10W max. blinking light

Photocells bridge: between connectors 2/3

Remove the bridge only when connecting the photocells.

The phase shift between the 2 wings is automatically set and can not be modified.

RED LED =

- steady on while the door is open or closed= step by step operating mode is set.
- blinking while the gate is open= automatic pause time counting before the gate re-closes.
- also used as indicator during the remote control memorizing procedure

Fusibile : a ripristino automatico

Transformer input= 0 (black cable) 12V (Yellow cable)

PUSH BUTTON:

P1 = FULL CYCLE push button to store or cancel the radio transmitters codes on the electronic board.

This button is used to set complete opening cycles. Red LED visual indicator.

HOW TO MEMORIZE/ DELETE REMOTE CONTROL CODE IN THE ELECTRONIC BOARD (see also remote control chapter)

Remote controls setting: to synchronize a remote control channel:

On the main board Press P1 to memorize a remote control Channel for complete opening cycle.

Release P1.

As the red LED turns on, push the selected radio remote control button. After the red LED blinks, wait until the red LED turns off. Operation completed.

Maximal storage capacity: 10 channels

To delete the stored channels press P1 for about 30 sec. until the red LED turns off.

All remote control codes will be deleted.

OPERATING MODE: STEP BY STEP or AUTOMATIC

the electronic board is set on “STEP by STEP” working mode.

with this setting a pulse controls the opening and a second impulse closes the gate.

How to set the automatic closure function (the pause time before the gates automatically closes is 30seconds and cannot be adjusted):

1- cut off the power to the board and wait for 5 seconds

2- keeping P1 key pressed, power the board.

the red LED will switch on

Operation performed.

Following the same procedure you will return to the step by step operating mode.

■ **CTH41 MONO**

special version for use on single wing gate: only connect M1. Other connections remain the same