

2. PREPARATIONS

Prepare the insulated cable ducts for motors and accessories wires (not supplied). Prepare the power plant to the location where you intend to attach the control unit (not necessary in the case of self-powered SOLAR PANEL powered openers) **Warning: the power of the high-voltage current must be managed exclusively by a specialized technician. Do not manage yourself the power supply connection 230 / 110V: Danger of Death!**

Caution: it is recommended to prepare a disconnection device to be used in case of emergency. Warning: the control unit and activation commands must be installed in a not accessible place and at a height from the ground, not allowing the use by unauthorized persons or children.

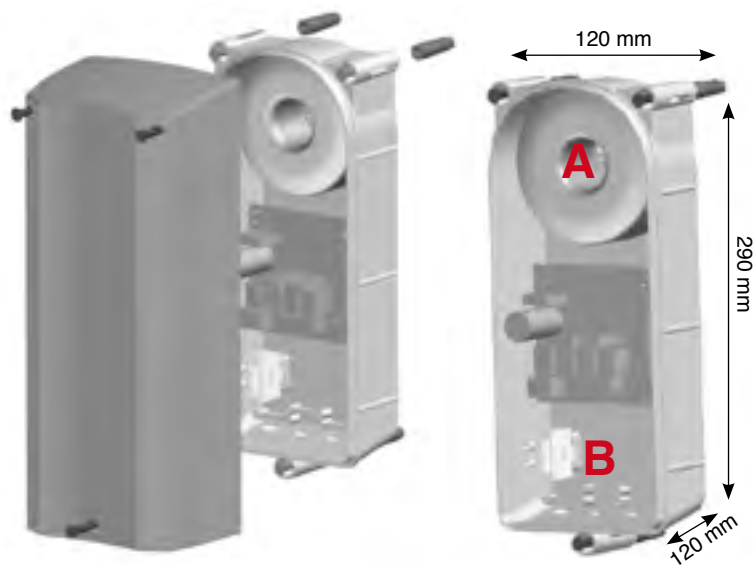
13. CONTROL BOX INSTALLATION

Fix the bottom of the control unit to the wall or pillar using appropriate screws and plugs (not supplied). It is advisable to seal any holes to prevent water infiltration, moisture, dust and insects. It is recommended to provide appropriate compression sleeves (not supplied)

Small control box KONTROL "Small" see pic.39 Large control box KONTROL "Large" see pic.40 The control Kontrol "Large" is equipped with a inner protective cover underneath which are inserted the electronic board and the toroidal transformer.

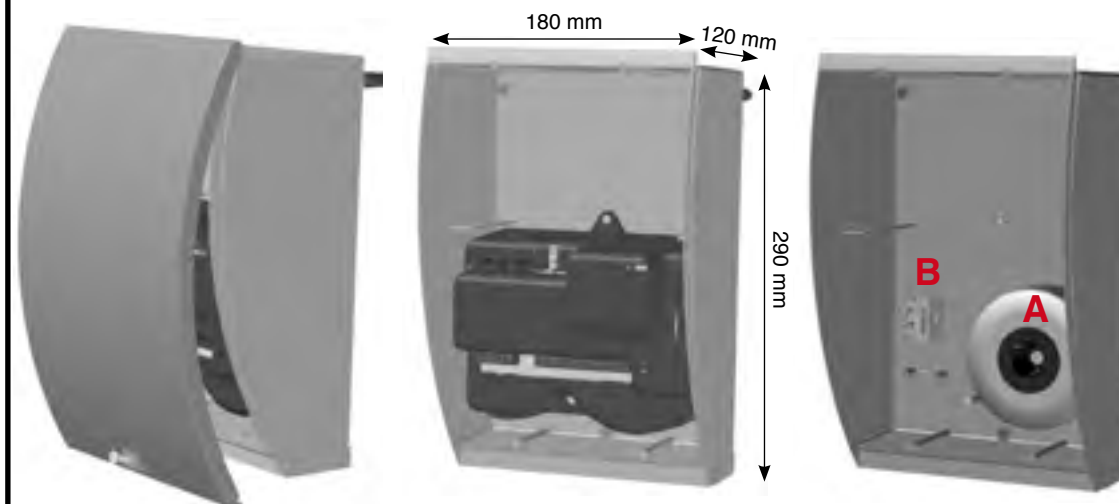
39

Kontrol "mini"
"Small size" kontrol box



40

Kontrol
"Large size" control box



DUCATI Main AC power supply

14. MAIN POWER SUPPLY 230V / 110 V

The main power supply high voltage 230V (110V on request) connection must be performed only by a licensed electrician! Warning: danger of death.

The power cable is connected to the terminal block / fuse protection upstream of the toroidal transformer (pic.41)

The transformer is already connected to the PCB. Check for proper connection.

Connect cables from the transformer to the circuit board. Remember:

The transformer has 3 output cables, but for 12V motors only black and yellow cable must be connected. while red cable (24V must be used instead of yellow cable only for 24V motor versions) Black =0 + Yellow= 12V to be used for 12V motors

Black =0 + Red= 24V to be used for 24V motors

Solar panel powered openers do not require any high voltage connection. Nevertheless, they are always provided with a toroidal transformer and in case of emergency or to recharge the battery the main voltage 230V (110V on demand) can be connected to the terminal block / fuse protection upstream of the toroidal transformer (pic.41)



WARNING! To prevent damage during shipment, the transformer could be provided not pre-installed in the control panel. It is supplied with a fixing cone and screw to fix it to the bottom of the control box.

See pic. 39/ 40: Place the transformer in its correct position (A) and fix it to the bottom of the control box unit using the special cone support and screw it.

Fix the power supply 230V / 110V connectors terminals with protection fuse in the position (B) of the bottom of the control box unit (see pic. 39-40).

Connect cables from the transformer to the circuit board. Remember:

The transformer has 3 output cables, but for 12V motors only black and yellow cable must be connected. while red cable (24V must be used instead of yellow cable only for 24V motor versions)

Black =0 + Yellow= 12V to be used for 12V motors

Black =0 + Red= 24V to be used for 24V motors

